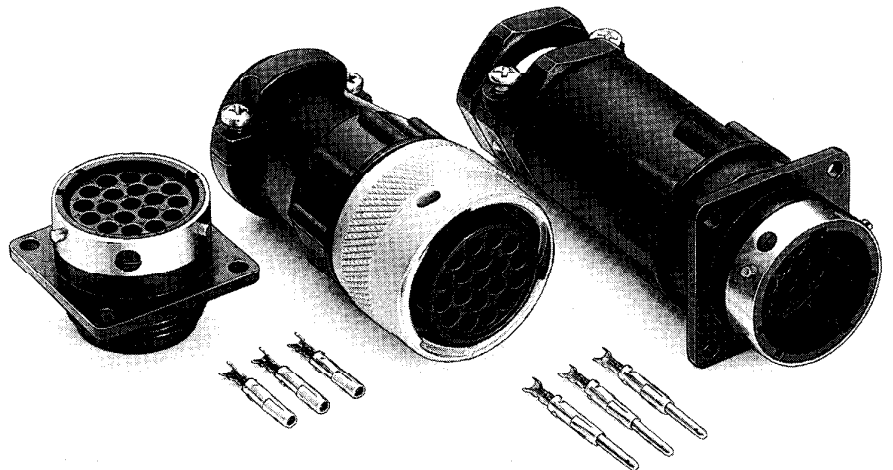
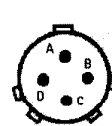


## FEATURES

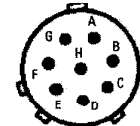
- Rugged metal coupling
- Positive bayonet locking
- Shell to shell keying
- Integrally moulded combined plastic body and insulator
- Wide range of accessories
- Accepts all Trident signal contacts
- Recognised under the component programme of U.L. Inc and C.S.A.



Characteristics	Performance
Material	UL 94V-0 rated Nylon, colour black
Operating Voltage	250 Va.c. r.m.s.
Contact Current Rating	Up to 13 A (See contact specification)
Operating Temperature	-55°C to +105°C
Insulation Resistance	5000 Mohms at 500 Vd.c.
Locking rings	High strength nickel plated copper alloy



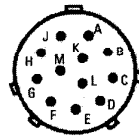
4-way



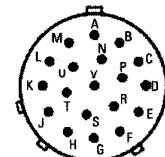
8-way



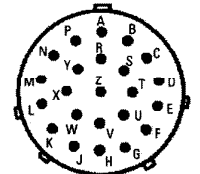
7-way



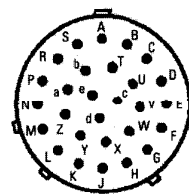
12-way



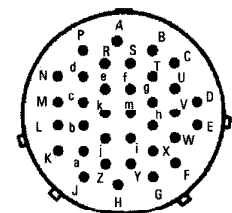
19-way



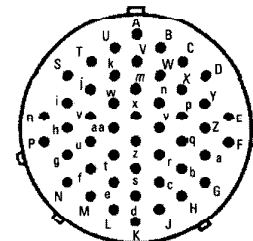
23-way



28-way



35-way

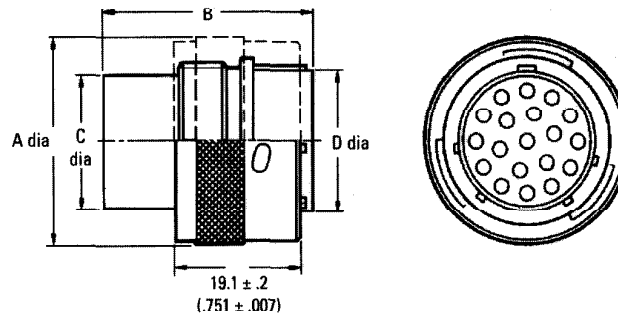


48-way

## CONTACT ARRANGEMENTS AND CONTACT IDENTIFICATION

Contact identification positions shown are mating face of the plug and rear side of the Standard receptacle. The Reversed connectors show a mirror image identification.

STANDARD PLUG - PIN CONTACTS



No. of contacts	Shell Size	Dimensions				Order Code (Each)	Nomenclature
		A ± .2 (.007)	B Max	C ± .15 (.005)	D ± .15 (.005)		
4	10	21.6 (.850)	31.8 (1.252)	10.9 (.429)	12.2 (.480)	192922-1250	TR 1004 PMS 1NB
7	18	34.3 (1.350)	33.0 (1.299)	22.5 (.885)	24.0 (.944)	192990-1330	TR 1807 PMS 1NBE
8	12	24.8 (.976)	31.8 (1.252)	13.8 (.543)	15.1 (.594)	192922-1260	TR 1208 PMS 1NB
12	14	28.0 (1.102)	31.8 (1.252)	17.0 (.669)	18.3 (.720)	192922-1270	TR 1412 PMS 1NB
19	16	31.2 (1.228)	31.8 (1.252)	19.9 (.783)	21.4 (.842)	192922-1280	TR 1619 PMS 1NB
23	18	34.3 (1.350)	31.8 (1.252)	22.4 (.881)	24.0 (.944)	192990-1320	TR 1823 PMS 1NB
28	20	37.5 (1.476)	31.8 (1.252)	25.6 (1.007)	27.1 (1.066)	192922-1290	TR 2028 PMS 1NB
35	22	40.7 (1.602)	31.8 (1.252)	28.5 (1.122)	30.4 (1.196)	192922-1300	TR 2235 PMS 1NB
48	24	43.9 (1.728)	31.8 (1.252)	31.7 (1.248)	33.5 (1.318)	192990-1340	TR 2448 PMS 1NB

**IMPORTANT NOTE:-**

**STANDARD AND REVERSED FORMAT**

Equipment design dictates whether the fixed connector is "live" or "dead" when disconnected. If designated "live" the fixed connector is fitted with sockets; if "dead" pin contacts are supplied.

Standard Format - Fixed connector with sockets.  
 Reversed Format - Fixed connector with pins.

**Standard and Reversed connectors are not intermateable.**